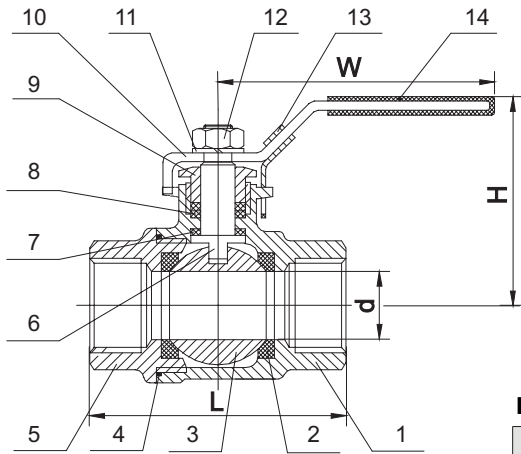
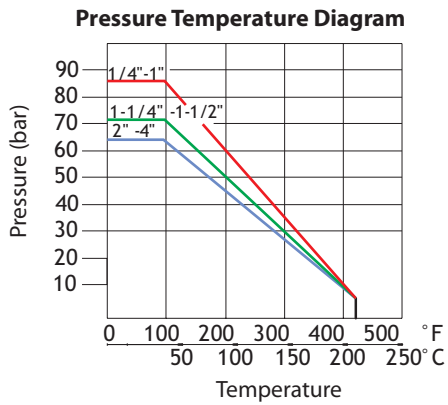


V201 Series, 2Pc Body, AISI316, BSP Threaded End, Full Bore Ball Valves



DIN
DIN3202-M3
Face to Face



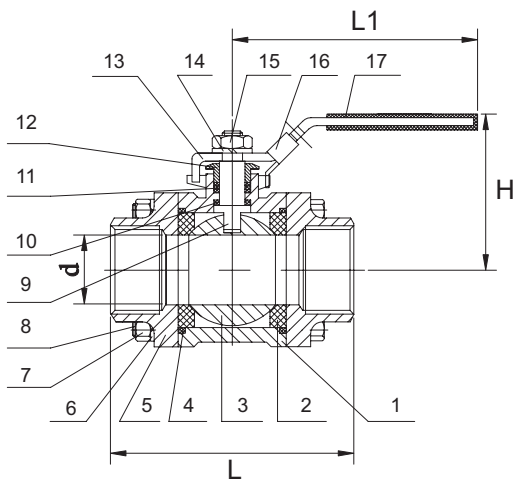
Dimensions (mm)

Size (DN)	d	L	H	L1	Weight (Kg)
1/4"	11	50	50	100	0,22
3/8"	12,5	60	50	100	0,30
1/2"	15	75	52	100	0,34
3/4"	20	80	57	115	0,52
1"	25	90	78	150	0,78
1-1/4"	32	110	88	150	1,23
1-1/2"	40	120	95	180	2,00
2"	50	140	100	180	2,98
2-1/2"	65	185	120	254	6,05
3"	80	205	130	254	9,90
4"	100	240	160	285	16,60

Material List

No	Part Name	Material	Qty
1	Body	CF8M	1
2	Ball Seat	PTFE	2
3	Ball	AISI316	1
4	Body Gasket	PTFE	1
5	Cap	CF8M	1
6	Stem	AISI316	1
7	Thrust Washer	PTFE	1
8	Stem Packing	PTFE	1
9	Gland Nut	AISI304	1
10	Handle	AISI304	1
11	Spring Washer	AISI304	1
12	Nut	AISI304	1
13	Locking Device	AISI304	1
14	Handle Cover	Plastic	1

V202 Series, 3Pcs Body, AISI316, BSP Threaded End, Full Bore Ball Valves



DIN
DIN3202-M3
Face to Face

Dimensions (mm)

Size (DN)	d	L	H	L1	Torque (N.m)	Weight (Kg)
1/4"	11	50	51	105	4	0,40
3/8"	12,5	60	51	105	4	0,42
1/2"	15	75	53	118	5	0,45
3/4"	20	80	60	118	8	0,73
1"	25	90	75	150	10	1,04
1-1/4"	32	110	80	150	14	1,65
1-1/2"	40	120	88	182	18	2,25
2"	50	140	95	182	25	3,15
2-1/2"	65	185	121	254	48	6,50
3"	80	205	135	254	75	9,60
4"	100	240	158	285	110	16,40

Material List

No	Part Name	Material	Qty
1	Body	AISI316	1
2	Ball Seat	PTFE	2
3	Ball	AISI316	1
4	Body Gasket	PTFE	2
5	Cap	AISI116	2
6	Washer	AISI304	4 (Max 12)
7	Nut	AISI304	4 (Max 12)
8	Stud	AISI304	4 (Max 6)
9	Stem	AISI316	1
10	Thrust Washer	PTFE	1
11	Stem Packing	PTFE	1
12	Gland Nut	AISI304	1
13	Lever	AISI304	1
14	Spring Washer	AISI304	1
15	Nut	AISI304	1
16	Locking Device	AISI304	1
17	Handle Cover	Plastic	1